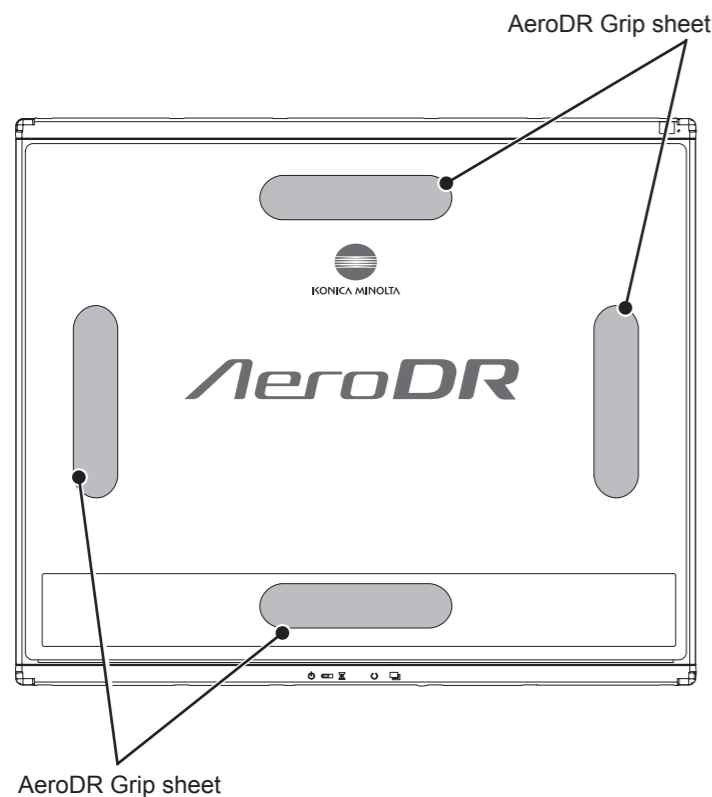


IMPORTANT

- The AeroDR Grip sheet may peel off or deteriorate depending on usage. When AeroDR Grip sheet peel off or deteriorate, replace them.
- For replacement AeroDR Grip sheet, contact Konica Minolta technical representatives.

1 Application locations



IMPORTANT

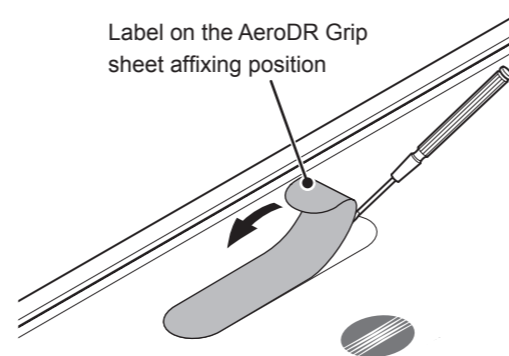
- When using a tool to affix the AeroDR Grip sheet or perform replacement, be careful not to get injured by a tip or edge of the tool.
- For AeroDR Grip sheet affixing or replacement, it is recommended to ask Konica Minolta technical representative.
- The AeroDR 1012HQ does not use the AeroDR Grip sheet.

2 Affixing and replacement

When affixing the AeroDR Grip sheet to the AeroDR Detector, follow the procedure below.

1 Remove the label from the AeroDR Grip sheet affixing position.

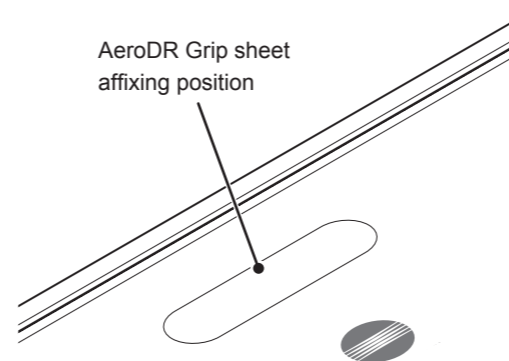
- Insert a precision flat-blade screwdriver, etc. into the step at the AeroDR Grip sheet affixing position to slightly turn the label over, and then remove it completely.



IMPORTANT

- Be careful not to scratch the AeroDR Detector.
- Be sure to peel off the label or used AeroDR Grip sheet because it may come off.

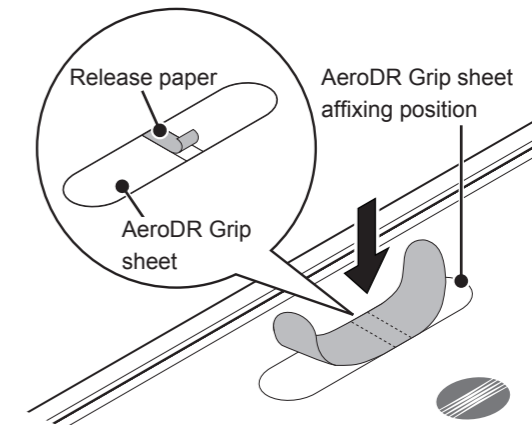
2 Remove dust and contamination from the AeroDR Grip sheet affixing position.



HINT

- After removing the label or used AeroDR Grip sheet, clean off any adhesive residue on the surface using a soft cloth moistened with anhydrous ethanol.

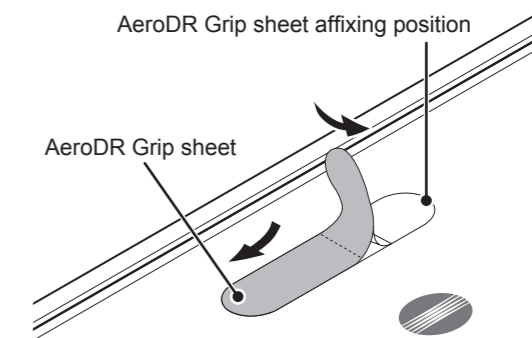
3 Peel off the center piece of the release paper from the AeroDR Grip sheet, and temporarily affix the sheet to the required position on the AeroDR Detector.



IMPORTANT

- Place the AeroDR Grip sheet in the correct position so that it does not overlap the AeroDR Detector label.

4 Peel off the left and right pieces of the release paper from the AeroDR Grip sheet and affix the sheet to the required position on the AeroDR Detector.



IMPORTANT

- Affix the sheet slowly from the center to the right and left sides to attach it tightly to the AeroDR Detector.
- Confirm that the AeroDR Grip sheet has been securely placed.

5 Repeat the same steps to affix the other three sheets.