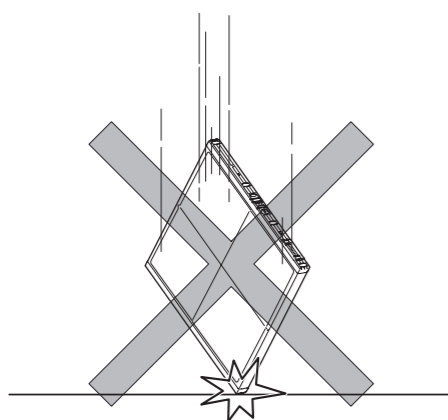


The AeroDR Detector is a precision instrument. Failure may occur if it is subjected to strong impacts or excessive load. Also, it is not waterproof. Before using this device, thoroughly read the following precautions for proper use. As the precautions described here contain important details that may lead to failure, be absolutely sure to follow these precautions.

## 1 Impacts, load

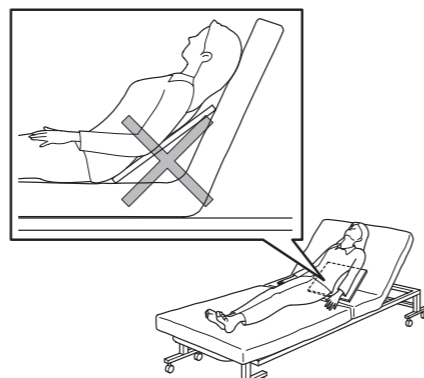
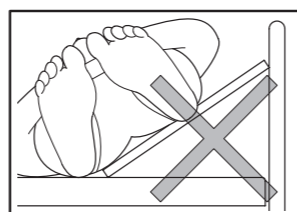
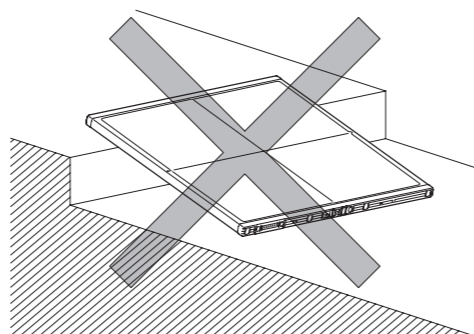
The AeroDR Detector is a precision instrument. If it is dropped or hit against any object, a failure may occur due to strong impact or excessive load.

- Do not subject the AeroDR Detector to strong impacts or excessive load by dropping or hitting it against other objects.



- When laying the patient onto the AeroDR Detector during positioning, do so very slowly.
- When placing the AeroDR Detector under the patient as part of the exposure process, insert and pull out the detector slowly.

- Use the AeroDR Detector on a flat base.

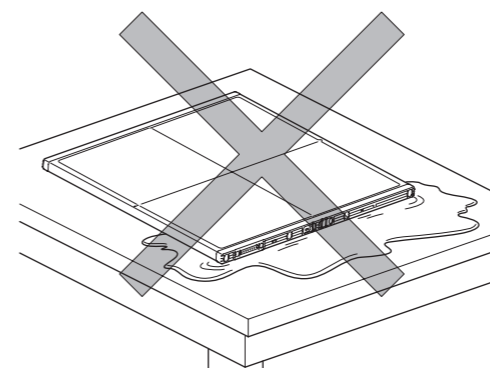
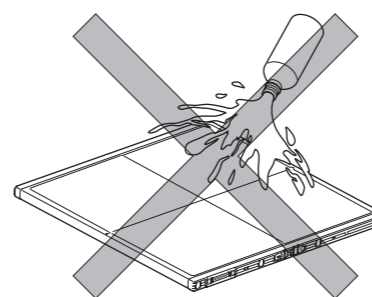


\* If the AeroDR Detector is placed on a sloping surface and subjected to a load, its internal sensor may be damaged.

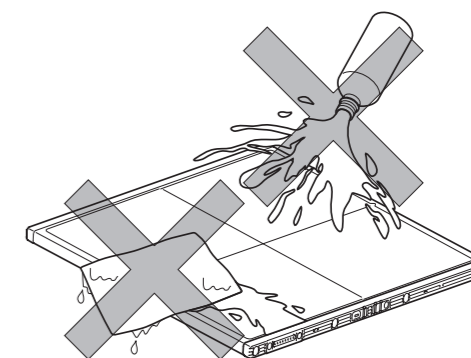
## 2 Liquids, disinfection, cleaning

The AeroDR Detector is not waterproof, and may fail if patients' body fluids, chemicals, water, or other liquids enter the device through gaps in the external casing. Cover it with a vinyl sheet or other material as necessary.

- Be sure to use a vinyl sheet or other material to cover or wrap the AeroDR Detector when it is possible that the AeroDR Detector may be exposed to patients' body fluids, chemicals, water, or other liquids.



- The AeroDR Detector may fail if absolute alcohol, disinfectants, or other liquids used for cleaning are directly applied or sprayed and enter the device through gaps in the external casing. Apply a small amount of disinfectant to a soft, lint-free cloth and wring out excessive liquid before wiping.



\* For the precautions not described here, please refer to the operation manual.