



KONICA MINOLTA

# PRIMARY IMAGING SOLUTIONS

*Konica Minolta. Right Solutions. Right Time.*

## SIGMA II

### CS-7s CR System

*Easy, Secure, Economical CR*

- **CS-7s/Windows 7 based platform meets increased security needs**
- **Easy upgrade path to DR**

*Konica Minolta's SIGMA II CS-7s CR System provides enterprise level capabilities for every mid to low volume facility need.*

*Now you can fulfill your needs in digital CR radiography with a simple, low-cost solution. The SIGMA II CS-7s CR System provides fast patient imaging to help improve workflow and patient needs.*

*The SIGMA II CS-7s CR System provides a solution that is:*

- *Easy to use*
- *Provides Windows 7 security*
- *Offers economic value*

*The SIGMA II CS-7s CR System includes the REGIUS Sigma II Reader and the CS-7s Control Station.*



#### **Easy to Use**

The SIGMA II CR system is the ideal solution for every mid to low volume facility need. With an intuitive user interface on the CS-7s software, there are several menu options and workflow improvements that help simplify the imaging process. This interface provides modality worklist functionality and simplifies use for customized exam tags allowing finer adjustments by the end user.

#### **Provides System Security**

Know that your data is secure with this Windows 7 platform. Software upgrade paths are further enhanced to meet the needs for system enhancements and matching your need for improved workflow productivity.

#### **Offers Economic Value**

The SIGMA II /CS-7s CR System also allows for future growth by offering upgrades from CR to DR while maximizing value with the Windows 7 platform. Whether you stay with CR or move to DR in the future, Konica Minolta's SIGMA II provides complete flexibility & growth to make that choice when you are ready!

**Giving Shape to Ideas**

## REGIUS Sigma II CS-7s CR System Specifications\*

<b>Cassette Sizes</b>	14"x17"/14"x14"/11"x14"/10"x12"/8"x10" 18x24cm/24x30cm/15x30cm
<b>Sampling Pitch</b>	87.5/175 micron
<b>Maximum Resolution</b>	4020 x 4892 (14" x 17" 875µm)
<b>Digital Gradation Level</b>	4096 levels
<b>Throughput</b>	60 plates per hour (14" x 17" 175µm)
<b>Outer Dimensions</b>	24D" x 20W" x 14H"
<b>Weight</b>	62 lbs.
<b>Power Consumption</b>	100VA during operation; 20VA in standby

### Imaging Station

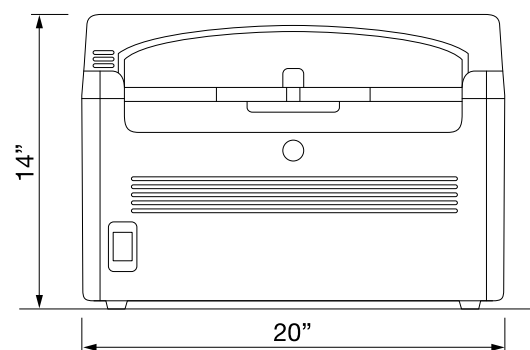
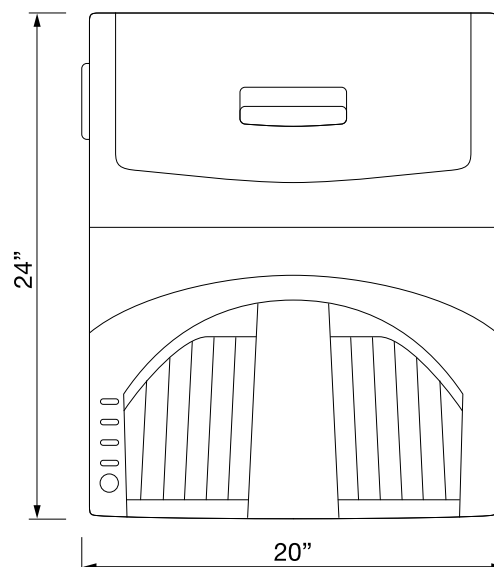
<b>Server Platform</b>	Desktop
<b>Hard Drive Capacity</b>	500GB (1x500GB)
<b>RAM</b>	4GB
<b>OS</b>	Windows 7 Professional 32-bit
<b>Display Options</b>	19" HP LCD, 23" Eizo Multi-Touch LCD

## CS-7s Control Station Specifications\*

<b>DICOM Services</b>	DICOM Storage (CR/DX SCU) or DICOM Print SCU DICOM Modality Worklist SCU DICOM Grayscale Standard Display Function SCU DICOM Modality Performed Procedure Step SCU DICOM Grayscale Standard Presentation State SCU DICOM Storage Commitment SCU
<b>Image Output</b>	Up to 1 DICOM Store Plus 1 Backup Up to 1 DICOM Print Plus 1 Backup
<b>Image Processing</b>	Automatic Gradation Processing (G processing) Frequency Processing (F processing) Equalization Processing (E processing) Hybrid Processing (H processing)
<b>Image Storage Capacity</b>	Approximately 5,000 images
<b>Dimensions</b>	PC: 7.2"(W) x 15.8"(D) x 14.5"(H) Touch Screen: 17.0"(W) x 20.3"(H) x 8.2"(D)
<b>Weight</b>	PC: 25 lbs.; Touch Screen: 18 lbs.
<b>Power Source</b>	PC: AC 100–240V; 50/60 Hz Touch Screen: AC 100–240V; 50/60 Hz
<b>Heat Generation</b>	PC: Approximately 160 Watts or 548.8 BTU Touch Screen: 40 Watts or 136 BTU
<b>Operating Conditions</b>	Temperature: 15°C – 35°C Humidity: 40% – 80% (non condensing)

\*Specifications are subject to change without notice.

## Sigma II Dimensions



### Konica Minolta's Commitment to Customer Satisfaction

At Konica Minolta, your complete satisfaction is our number one goal. From pre-installation through the lifetime of your investment, our professional Reseller Network provides the technical expertise you need. Project management, Applications Training, and Field Services are different teams of Konica Minolta Trained Reseller professionals that work together to maintain your continued satisfaction over the lifetime of your investment.

Maximize your investment in CR equipment by selecting the right Customer Satisfaction Agreement to ensure the ongoing operational excellence and productivity that your department needs.



KONICA MINOLTA

### Konica Minolta Medical Imaging

411 Newark Pompton Turnpike  
Wayne, NJ 07470  
Tel: (973) 633-1500 Fax: (973) 523-7408  
[konicaminolta.com/medicalusa](http://konicaminolta.com/medicalusa)

SIGMA II System 9/2015